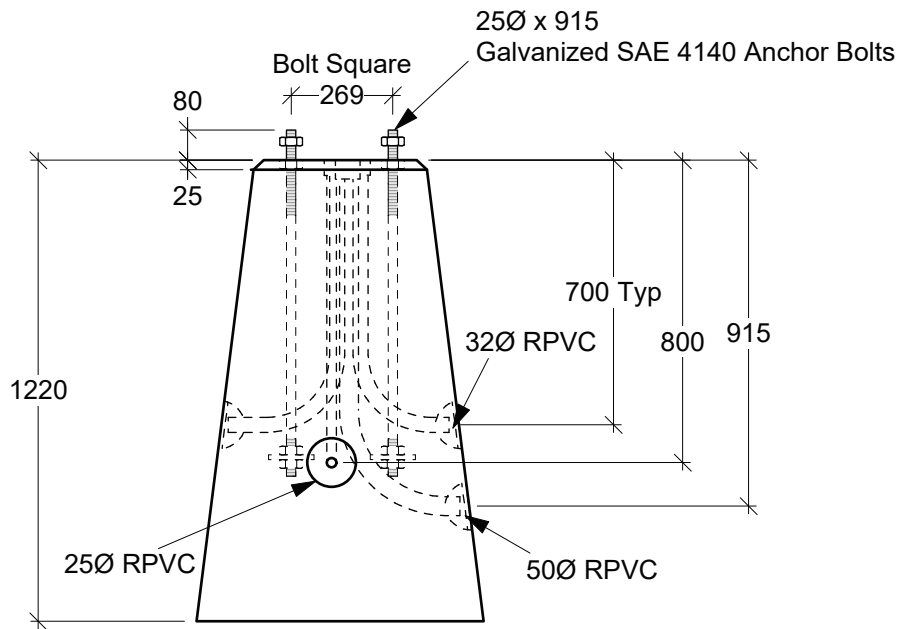


**Plan View**



**Side View**

**General Notes:**

- Product manufactured in accordance with CSA A23.4
- Lift Points Provided (See Shop Drawing for Quantity & Locations)
- Site Installation, Backfilling, Suitability for Use and Engineering Design Approval is the responsibility of others

**Customizations Available:**

- Bolt Size & Type
- Bolt Square (290 max)
- BCD (410 max)
- Duct Size
- Duct Quantity
- Duct Orientation
- Reinforcing



19060 - 54th Avenue  
Surrey, B.C. V3S 8E5

Tel (604) 576-1808  
info@aeconcrete.com

**MMCD Type C3 Service Base**

(MMCD Dwg# CE1.3)

Base: 2,500 lbs / 1,140 kgs

Scale: 1:20 mm

Rev: 09May18

Dwg#: **SPC3-25-F269-SERV-C**